



# Motorised and automatic transfer enclosed switches

## ATyS in enclosure

40 to 3200 A

Integrated products  
& solutions



### The solution for

- > High-rise buildings
- > Data centers
- > Energy generation
- > Healthcare buildings
- > Banks and insurance companies
- > Transport (airports, tunnels, etc.)



### Strong points

- > Quick installation
- > Wide choice
- > Easy maintenance
- > Adaptability

### Compliance with standards

- > IEC 60947-3
- > IEC 60947-6,-1
- > IEC 61439-2



### Function

Our **transfer enclosures** are equipped with ATyS motorised and automatic changeover switches to ensure power availability in critical applications. Motorised transfer enclosures are controlled manually or remotely through an external automated system. Automated transfer enclosures automatically ensure that power availability is integrally managed.

### Advantages

#### Quick installation

Easy installation with the network auto-configuration feature. All of the auxiliary contacts, inputs and outputs are routed on terminal strips for high rating ATyS models.

#### Wide choice

ATyS models have specific functions to make your electrical system safer and smarter. Compatible with all types of BMS/SCADA of your choice. Always know what is happening on your network.

#### Easy maintenance

ATyS models have maintenance-free arcing contacts. You can also control the device with the emergency lever behind the door.

#### Adaptability

With a wide range of setup options, our range of enclosed ATyS models are adapted to suit your needs.

# Motorised and automatic transfer enclosed switches

ATyS in enclosure  
40 to 3200 A

## ATyS M in polycarbonate enclosure



### General features

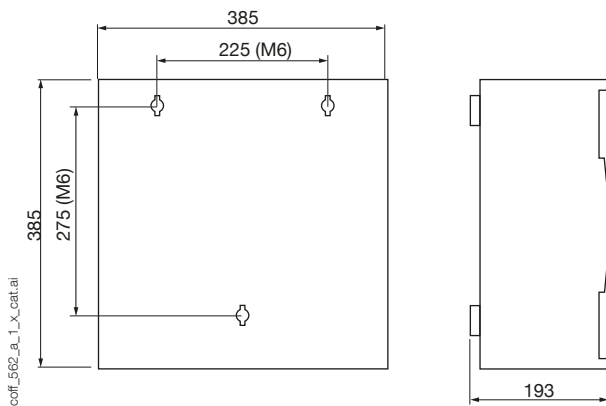
- From 40 to 160 A.
- Mains 230 VAC [176 VAC-288 VAC] 50 Hz or 60 Hz [45 Hz-65 Hz].
- Bridging bar built-in.
- Mounted auxiliary contact.
- IP rating: IP 41.
- Colour: RAL 7035.
- Fixed at the base of the enclosure.
- Cover closed with 4 screws.

### References

#### ATyS g M three-phase (4 P) model

Rating (A)	References
40	1855 4004
63	1855 4006
80	1855 4008
100	1855 4010
125	1855 4012
160	1855 4016

### Dimensions



coff\_562\_a\_1\_x\_cat.ai

# Motorised and automatic transfer enclosed switches

ATyS in enclosure

40 to 3200 A

## ATyS M in polycarbonate enclosure



### General features

- From 40 to 160 A.
- 230 VAC [176 VAC-288 VAC] 50 Hz network or 60 Hz [45 Hz-65 Hz]
- Degree of protection: IP 55, IK08.
- Colour: RAL 7035.
- Material: transparent cover, enclosure base: polycarbonate.
- Mounting: 4 holes on the rear of the enclosure.
- Flame resistant to 650°C.

### References

#### ATyS d M single-phase (2P) model

Rating (A)	References
40	1823 <b>2004</b>
63	1823 <b>2006</b>
80	1823 <b>2008</b>
100	1823 <b>2010</b>
125	1823 <b>2012</b>
160	1823 <b>2016</b>

#### ATyS g M single-phase (2P) model

Rating (A)	References
40	1854 <b>2004</b>
63	1854 <b>2006</b>
80	1854 <b>2008</b>
100	1854 <b>2010</b>
125	1854 <b>2012</b>
160	1854 <b>2016</b>

### Accessories

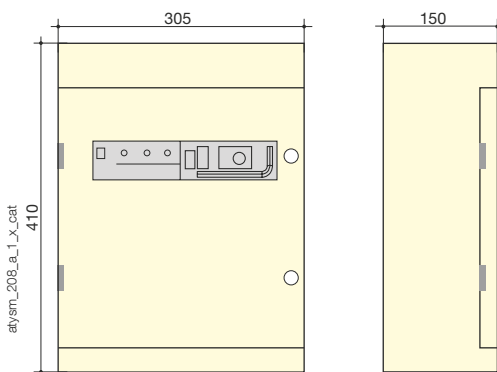
#### Customer fit

Designation	References
Auxiliary contact	1309 <b>1001</b>
Voltage sensing and power supply tap (2 for each part)	1399 <b>4006</b>

#### For model ATyS d M only

Designation	References
ATyS C30 relay driver	1599 <b>3030</b>
ATyS C40 relay driver	1599 <b>3040</b>
Dual power supply	1599 <b>4001</b>

### Dimensions



- Weight: 5.5 kg.
- Connection: recommended cable size (Cu): 25 to 70 mm<sup>2</sup> according to rating (max. cable size: 70 mm<sup>2</sup>).

# Motorised and automatic transfer enclosed switches

ATyS in enclosure  
40 to 3200 A

## ATyS M in steel enclosure



### General features

- Suitable for environments subject to mechanical risk and dust hazards.
- Bridging bar built-in.
- IP rating: IP3x or IP54.
- Colour: RAL 7035.
- Plates > cables: upstream and downstream.
- Material: 1.2 mm-thick steel.
- Coating: epoxy polyester powder.
- Mounting: 4 wall mounting brackets - not mounted.
- Door: hinged, cutout 327.4 x 47.6 mm.
- Door lock: 3 mm double bar key (included).

### References

#### ATyS d M models

Rating (A)	No. of poles	IP 3X References	IP 54 References
40	4 P	1823 4004	1823 4005
63	4 P	1823 4006	1823 4007
80	4 P	1823 4008	1823 4009
100	4 P	1823 4010	1823 4011
125	4 P	1823 4012	1823 4013
160	4 P	1823 4016	1823 4017

#### ATyS g M models

Rating (A)	No. of poles	IP 3X References	IP 54 References
40	4 P	1854 4004	1854 4005
63	4 P	1854 4006	1854 4007
80	4 P	1854 4008	1854 4009
100	4 P	1854 4010	1854 4011
125	4 P	1854 4012	1854 4013
160	4 P	1854 4016	1854 4017

#### ATyS p M + COM RS485 models

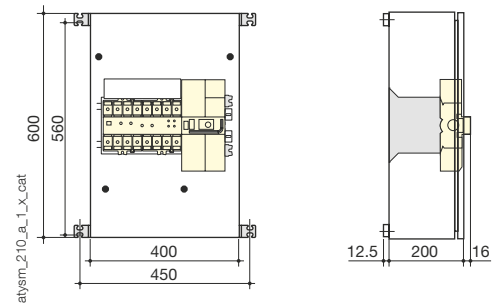
Rating (A)	No. of poles	IP 3X References	IP 54 References
40	4 P	1884 4004	1884 4005
63	4 P	1884 4006	1884 4007
80	4 P	1884 4008	1884 4009
100	4 P	1884 4010	1884 4011
125	4 P	1884 4012	1884 4013
160	4 P	1884 4016	1884 4017

### Accessories

#### Customer fit

Designation	References
Conducting neutral	1309 9008
Kit IP54	1399 4016

### Dimensions



- Weight (without accessories): 15 kg.
- Connection (without cage/terminal interface): min. Cu 10 mm<sup>2</sup>, max. 70 mm<sup>2</sup>.

# Motorised and automatic transfer enclosed switches

ATyS in enclosure

40 to 3200 A

## ATyS S in steel enclosure



conf\_417.psd

### General features

- ATyS S and ATyS d S, 40 to 125 A.
- Protection degree IP3X (IP54 optional extra).
- Colour: RAL 7035, epoxy polyester powder.
- Mounting: 4 wall-mounting brackets (not fitted).
- Material: XC steel, thickness 1.2 mm.
- Closing plate: top and bottom.
- Connection of cables: top or bottom.
- Locking device: 3 mm double bar (key included)
- Mains 230/400 VAC, 50/60 Hz  $\pm$  30%.
- Two power supply versions: 12 VDC (ATyS S) and 2 x 230 VAC (ATyS d S).
- Manual emergency operating handle provided with the enclosure.
- Connection kit.
- Position and live voltage LEDs (factory-fit option).
- Priority source and mode selection (factory-fit option - for use with ATyS C30 option).
- Kit for three-phase networks without neutral (factory-fit option).
- Battery charger kit (factory-fit option).

### References

#### Standard product - ATyS S power supply 12 VDC

Rating (A)	No. of poles	References
40	4 P	3505 <b>4004</b>
63	4 P	3505 <b>4006</b>
80	4 P	3505 <b>4008</b>
100	4 P	3505 <b>4010</b>
125	4 P	3505 <b>4012</b>

#### Standard product - ATyS d S power supply 230 VAC

Rating (A)	No. of poles	References
40	4 P	3513 <b>4004</b>
63	4 P	3513 <b>4006</b>
80	4 P	3513 <b>4008</b>
100	4 P	3513 <b>4010</b>
125	4 P	3513 <b>4012</b>

### Characteristics according to IEC 61439-1

Operating voltage	40 A	63 A	80 A	100 A	125 A
Power supply voltage ATyS S (DC)	12 V (9-15 V)				
Power supply voltage ATyS d S (AC)	230 V $\pm$ 30% (160-310 V) 50/60 Hz				
Network operating voltage	415 V (50/60 Hz)				

#### Rated current

Permissible current (A) at ambient temperature 35°C	40	63	80	100	125
Permissible current (A) at ambient temperature 60°C	40	63	80	100	112

#### Ambient temperature

Storage	-25 / 70°C
Operation	-25 / 60°C

### Accessories

#### Factory fitted

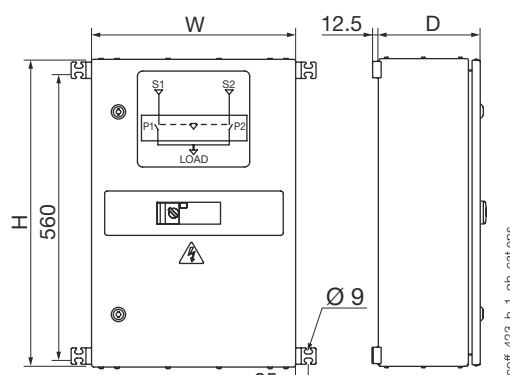
Designation	References
Source (voltage) present LEDs	9599 <b>0005</b>
Position LEDs	9599 <b>0006</b>
TEST/AUTO mode selection (with ATyS C30 option)	9599 <b>0007</b>
Priority source selection (with ATyS C30 option)	9599 <b>0008</b>
Surge protection device (SURGYS D40)	9599 <b>0010</b>
Three-phase without neutral	9599 <b>0012</b>
(3Ph+N) 16A auxiliary supply protection kit	9599 <b>0016</b>
Connection kit	9599 <b>0019</b>
Kit IP54	9599 <b>0020</b>
IPXXB protection screen (open door)	9599 <b>0021</b>
Battery charger	9599 <b>0024</b>
Kit for voltage sensing on terminals	9599 <b>0028</b>
Auxiliary contacts prewired to connection terminal	9599 <b>0029</b>
Control/command kit ATyS C30	9599 <b>0030</b>

#### Customer fit

Designation	References
Connection kit	9599 <b>0018</b>
Kit IP54	9599 <b>0020</b>
IPXXB protection screen (open door)	9599 <b>0021</b>

### Dimensions

Rating (A)	Cable cross-section (mm <sup>2</sup> )	H (mm)	W (mm)	D (mm)	Weight (kg)
40	10	600	400	200	25
63	16	600	400	200	25
80	25	600	400	200	25
100	35	600	400	200	25
125	50	600	400	200	25



conf\_423\_b\_1\_gb\_catEps

# Motorised and automatic transfer enclosed switches

ATyS in enclosure  
40 to 3200 A

## ATyS in steel enclosure



### General features

- ATyS r, ATyS g and ATyS p, 200 to 3200 A.
- Suitable for environments subject to mechanical risk and dust hazards.
- IP rating: IP54.
- Colour: RAL 7035.
- Closing plates: bottom.
- Cabling: top or bottom from 200A to 250 A, bottom from 400 to 3200 A.
- 2nd aux contact mounted on the ATyS.
- ATyS g model equipped with an ATyS D10 and ATyS p equipped with an ATyS D20.
- Inputs, outputs and auxiliary contacts mounted on terminals.
- Material: XC steel, thickness 2 mm.
- Coating: epoxy powder.
- Mount: Wall-mounted, supplied brackets not fixed (rating ≤400 A), floor-mounted on feet (rating > 400 A).
- Door: solid with hinges.
- Door lock with 3 mm double bar key included.

### References

Rating (A)	Housing size	N° of poles	ATyS r References	ATyS g References	ATyS p References
200	B3	4 P	8723 4020	8753 4020	8773 4020
250	B4		8723 4025	8753 4025	8773 4025
400	B4		8723 4040	8753 4040	8773 4040
630	B5		8723 4063	8753 4063	8773 4063
800	B5		8723 4080	8753 4080	8773 4080
1000	B6		8723 4100	8753 4100	8773 4100
1250	B6		8723 4120	8753 4120	8773 4120
1600	B7		8723 4160	8753 4160	8773 4160
2000	B8		8723 4200	8753 4200	8773 4200
2500	B8		8723 4250	8753 4250	8773 4250
3 200	B8		8723 4320	8753 4320	8773 4320

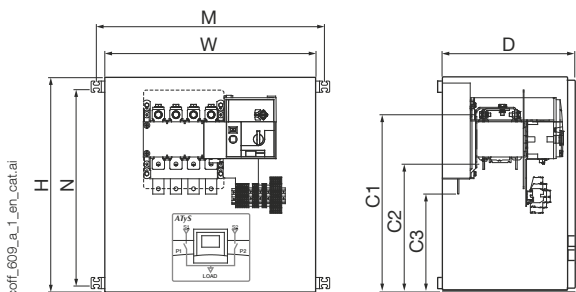
### Accessories

#### Solid neutral

Rating (A)	References
200	1599 1020
250	1599 1025
400	1599 1040
630	1599 1063
800	1599 1080
1000	1599 1100
1250	1599 1120
1600	1599 1160
2000	Contact us
2500	Contact us
3 200	Contact us

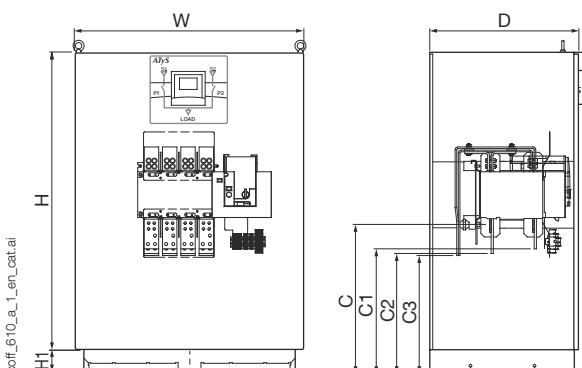
### Dimensions

#### Enclosure, wall-mounted



Rating (A)	Recommended CU cable cross-section (mm²)	H (mm)	W (mm)	D (mm)	M (mm)	N (mm)	C1 (mm)	C2 (mm)	C3 (mm)	Weight (kg)
200	95	500	600	300	648	458	342	227	-	27
250	120	500	600	300	648	458	352	222	-	28
400	240	600	600	375	648	548	-	320	250	38

#### Cabinet, floor-mounted



Rating (A)	Recommended CU cable cross-section (mm²)	H (mm)	W (mm)	D (mm)	H1 (mm)	C (mm)	C1 (mm)	C2 (mm)	C3 (mm)	Weight (kg)
630	2 x 185	800	600	475	100	419	-	-	339	91
800	2 x 240	1000	775	650	100	-	402	353	314	120
1000	4 x 150	1000	775	650	100	455	-	-	374	120
1250	4 x 185	1300	1000	650	100	-	660	-	650	265
1600	4 x 240	1500	1000	800	100	-	393	358	307	374
2000	8 x 150	1800	1000	1000	100	-	577-616	517-476	397-436	500
2500	8 x 185	1800	1000	1000	100	-	577-616	517-476	397-436	600
3 200	8 x 240	1800	1000	1000	100	-	577-616	517-476	397-436	600

# Motorised and automatic transfer enclosed switches

ATyS in enclosure

40 to 3200 A

## Characteristics

Characteristics according to IEC 60947-3, IEC 60947-6-1 and IEC 61439-1

Thermal current $I_{th}$ at 40°C	200 A	250 A	400 A	630 A	800 A	1000 A	1250 A	1600 A	2000 A	2500 A	3200 A
Rated insulation voltage $U_i$ (V) (power circuit)	800	1000	1000	1000	1000	1000	1000	1000	1000	1000	1000
Rated impulse withstand voltage $U_{imp}$ (kV) (power circuit)	8	12	12	12	12	12	12	12	12	12	12
Rated insulation voltage $U_i$ (V) (control circuit)	300	300	300	300	300	300	300	300	300	300	300
Rated impulse withstand voltage $U_{imp}$ (kV) (command circuit)	4	4	4	4	4	4	4	4	4	4	4

Rated operational current  $I_e$  (A) according to IEC 60947-3

Rated voltage	Utilisation category	A/B	A/B	A/B	A/B	A/B	A/B	A/B	A/B	A/B	A/B	A/B
415 VAC	AC-21 A / AC-21 B	200/200	250/250	400/400	630/630	800/800	1000/1000	1250/1250	1600/1600	-/2000	-/2500	-/3200
415 VAC	AC-22 A / AC-22 B	200/200	250/250	400/400	630/630	800/800	1000/1000	1250/1250	1600/1600	-/2000	-/2500	-/3200
415 VAC	AC-23 A / AC-23 B	200/200	200/200	400/400	500/630	800/800	1000/1000	1250/1250	1250/1250	-/1600	-/1600	-/1600

Rated operational current  $I_e$  (A) according to IEC 60947-6-1

Rated voltage	Utilisation category											
415 VAC	AC-31 B	200	250	400	630	800	1000	1250	1600	2000	2500	3 200
415 VAC	AC-32 B		200	400	500	800	1000	1250	1250	2000	2000	2000
415 VAC	AC-33 B		200	200	400	800	1000	800	1000	1250	1250	1250

Rated operational current  $I_e$  (A) according to IEC 61439-1

Rated voltage	Ambient air temperature:											
415 VAC	20°C	200	250	400	630	800	1000	1250	1600	2000	2500	3 200
415 VAC	35°C	200	250	400	630	770	1000	1130	1450	2000	2500	2960
415 VAC	50°C	200	250	360	570	695	900	1030	1200	1801	2500	2660

Conditional short-circuit current with gG DIN fuse, according to IEC 60947-3

Prospective fuse protected short-circuit withstand at 415 VAC (kA rms)	50	50	50	50	50	50	50	100	100	/	/	/
--	----	----	----	----	----	----	----	-----	-----	---	---	---

Connection

Recommended CU cable cross-section (mm <sup>2</sup> )	95	120	240	2 x 185	2 x 240	4 x 150	4 x 185	4 x 240	8 x 150	8 x 185	8 x 240
---	----	-----	-----	---------	---------	---------	---------	---------	---------	---------	---------

Power supply

Min./max. power (VAC)	166/332	166/332	166/332	166/332	166/332	166/332	166/332	166/332	166/332	166/332	166/332	166/332
-----------------------	---------	---------	---------	---------	---------	---------	---------	---------	---------	---------	---------	---------

Control supply power demand during transfer

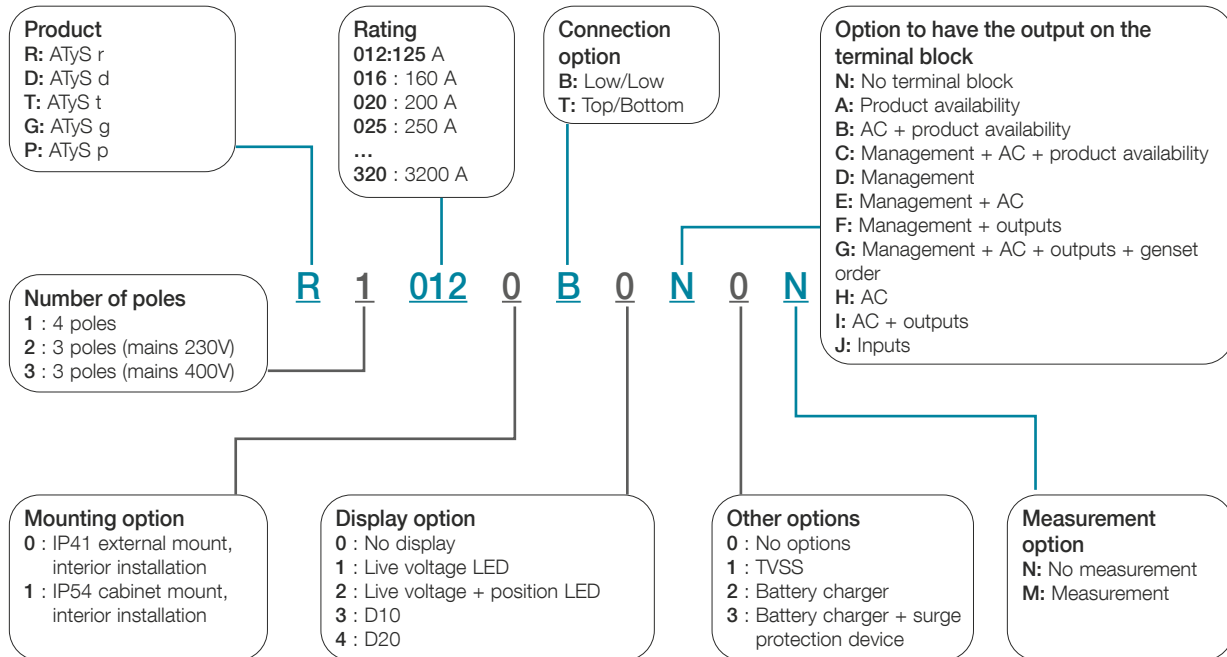
Demand/rated power (VA) - ATyS r	184/92	276/115	276/115	276/150	276/150	460/184	460/184	460/230	812/322	812/322	812/322
Demand/rated power (VA) - ATyS g, p	206/114	298/137	298/137	298/172	298/172	482/206	482/206	482/252	834/344	834/344	834/344

# Motorised and automatic transfer enclosed switches

ATyS in enclosure  
40 to 3200 A

## Choose your equipment

### Order the right References



#### Mounting option

- This option determines the type of mount and the position of the ATyS in the enclosure or cabinet.

#### Connection option

- This option determines the type of cable connections on your device.

#### Display option

- This option determines the type of display available at the front of the enclosure. Option compatible only when enclosure is base-mounted.

#### Option to have the output on the terminal block

- This option determines the connection type for inputs/outputs and auxiliaries on wiring terminals.

#### Other options

- With this option you can add extra features such as surge protection and/or a genset battery charger.

#### Measurement option

- This option determines the load current measurement. Option only available on ATyS p.

### Delivered equipped and adapted to your needs

- > Socomec can help you decide on the best configuration for your needs.