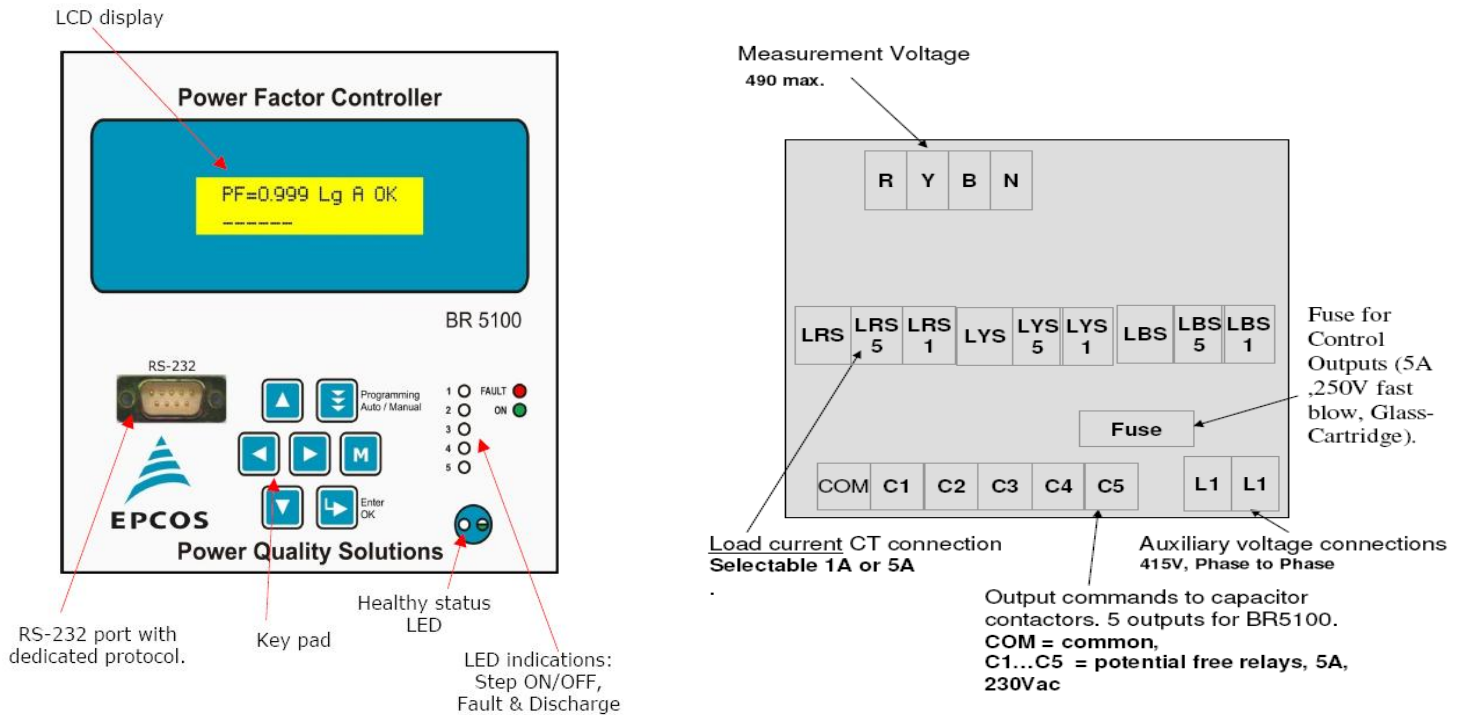




BR5100 Power Factor Controller For Contactor Switching Application

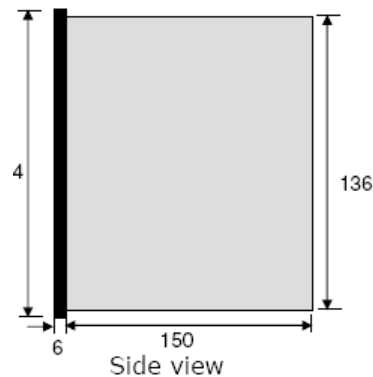


It is 3 CT sensing relay output relay available in 5 , 6 & 8 Stages



Features

- Measurements are with Class-1 accuracy.
- Advance Automatic synchronization feature. It is capable of giving correct results even for wrong connections at CT terminals (& also wrong polarity of CTs).
- Load V,I and THD measurement .
- Mode for switching:
 - Un-equal (user defined)
- Capable of doing reactive power measurements on every cycle of the mains waveform.
- Standard 144 X 144 cabinet for panel door flush mounting.
- Serial communication through standard Dedicated protocols.
- One RS-232 communication port is provided on front fascia.
- Four months of data logging is possible. data in the form of *Hourly Records & Fault Records*- recording all electrical values.
- Event Protections :
 - Over/under Voltage(OV/UV)
 - Over/Under frequency(OF/UF)
 - Under load(UL).
 - Over Current(OC).
 - Over temperature(OT).
 - Neutral Fault(NF).
 - Control Fuse fault(CF).
 - Over Temperature(OT).
 - Voltage THD(VH).
 - Current THD(IH).
 User can configure some of these events for different conditions like:-Indicate,Disable,Trigger(Capacitor) Off, Fast OFF.etc.
- Warnings :
 - Battery Low Indication
 - Out of Bank (Insufficient Capacity)
 - Current Over-Load on transformer



Recommended size for cutout on panel door is 138 X 138.
Maximum weight: (with clamps and terminals) = 2.5kg(approx.).

Specifications

- Measurement Accuracy: 1% (Dynamic range 10).
- Feed-back Voltage: Nominal 254 V (L-N), 3-Phase, 4-Wire configuration.
- Current input: Selectable 1Amp or 5Amp.
- Auxiliary Supply: Ph-Ph 415V (+20% to -40%).
- Correction time: Selectable in seconds from 1sec. to 2500sec.
- Output commands: 5 (BR5100). (Isolated 'NO' contacts of rating 5Amp ac / 250Vac).
- Dedicated RS232 port on front fascia.
- Operating temperature: 0 to 70°C.
- RS-232 baud rate selectable up to 38.4kFPS.
- Class-1 measurement operating temperature: 0 to 50°C.
- Storage temperature: 0 to +75°C.
- Humidity: 0 to 95%.
- Supply frequency: 45Hz to 55Hz.