

# TAP POSITION INDICATOR



# TAP POSITION INDICATOR

Prok dv's®

An ISO 9001 : 2008 Company

## TAP POSITION INDICATOR (TPI)-005

### Features

- Visual 7 segment digital display.
- On/off switch with lamp indication provided for power supply status.
- Potentiometer provision for trimming to compensate the lead resistance.
- Panel mounting with aesthetic value.
- Robust & Rugged i.e. suitable for industrial environment.
- Greater degree of accuracy & consistent reliability.

### Applications

- OLTC panel to indicate tap position.

### Specifications

Auxiliary Voltage	110 or 230 or 415 VAC +15%, 50 Hz
Resistance	1 kilo OHMS per step
Tel-transmitter	3 wire connection
Display	1 to 99 positions 2 digit 7 segment LED display
Accuracy	Tolerance + 2%
Lead compensation	Trough a potentiometer adjustment in The front fascia
Type of mounting	Panel Mounting
Operating temperature	0 ° to 55 °C
Break down voltage	2KV, between all live terminal connected together And body for 1min
Dimensions in mm	96mmx96mmx70mm (Panel cutout size:90mmx90mm+0.1 -0.00)

### Introduction

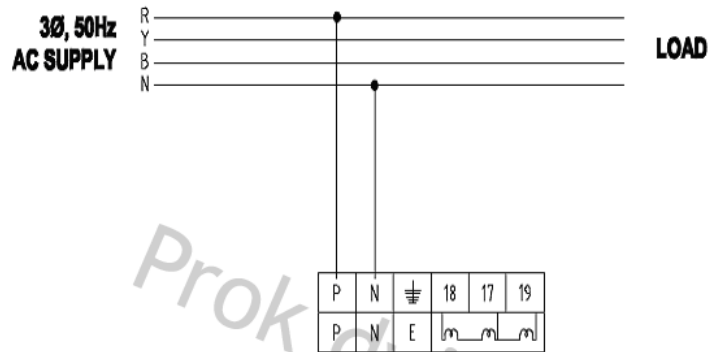
Prok dv's make TAP POSITION INDICATOR (TPI) uses state-of-the-art dedicated hardware to indicate the transformer tap position through Seven segment LED displays, while connected to a remote transformer work, Tap position from 1 to 99 steps will be indicated by the unit, increment of the readings will be in steps of one (each step represents 1 k- ohm),

A potentiometer has been provided in front fascia of the unit , which can be used to compensate the connecting lead resistance at site, ON/OFF switch provided in the front fascia which indicates the power on status of the unit.

# TAP POSITION INDICATOR

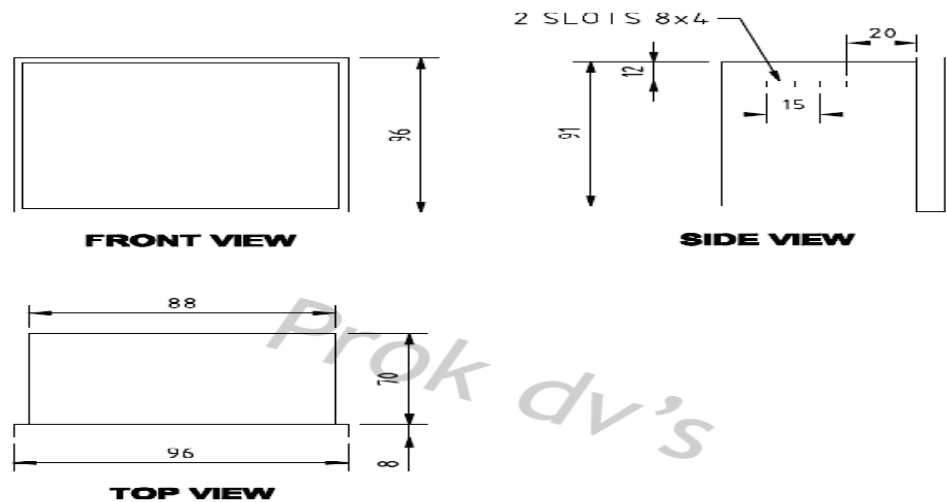
**TAP POSITION INDICATOR (TPI)-005**

**WIRING DIAGRAM OF TAP POSITION INDICATOR (TPI)**



**NOTE 1: IT IS DESIRABLE TO DERIVE AUXILIARY VOLTAGES/SUPPLY USING SEPARATE AUXILIARY TRANSFORMER FROM MAINS, OF SUITABLE RATING.**

**MECHANICAL DIMENSION OF TAP POSITION INDICATOR (TPI)**



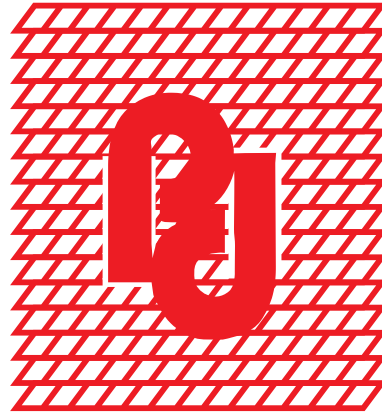
**NOTE: ALL DIMENSIONS ARE IN MM TOLERANCE:- ± 1MM**

# TAP POSITION INDICATOR

**Prok dv's**®

An ISO 9001 : 2008 Company

TAP POSITION INDICATOR (TPI)-005



ISO 9001-2008

Prok Devices Private Limited  
SIMHADRI ,  
No.2930, 14 th Cross,  
Banashankari II nd Stage,  
Off K.R. Road,  
Bengaluru-560070  
Karnataka  
India

Tel: +91 80

43487777/26760718/26761719

Fax: +91 80 26761720

Email: [info@prokdvs.com](mailto:info@prokdvs.com)