

Petrol station lighting



The benefits of good vertical lighting in petrol stations recently received serious attention. The typical long operation hours of petrol stations demands highly efficient lighting. Drivers require to see clearly for improved safety. And even at a distance, light glow brightly acting as a beacon for the weary traveler.



MPF 921/922 CST



General Description

Efficient, low glare, recessed/surface-mounted, cast aluminium luminaire for lighting of filling stations and other canopies. Luminaire is suitable for use with High Pressure Double Ended Metal Halide MHN-TD/CDM-TD 70W and MHN-TD/CDM-TD 150W lamp

Features

- Excellent uniform light distribution with a bi-directional beam, ensured by stippled aluminium, anodized and brightened reflector
- M.S. Gear tray housed in die-cast aluminium housing (white powder-coated) is attached with die-cast aluminium front visor (powder-coated in white) which carries heat resistant toughened glass and silicon rubber gasket
- The beam pattern creates excellent vertical illuminance as required on vertically oriented objects like pump islands
- Specially designed mounting arrangement allows quick and easy installation
- Silicon rubber gasket makes the luminaire insect free and provides IP65 protection

Applications

- Petrol and service stations
- Railway platform lighting
- Low height canopies

Installation

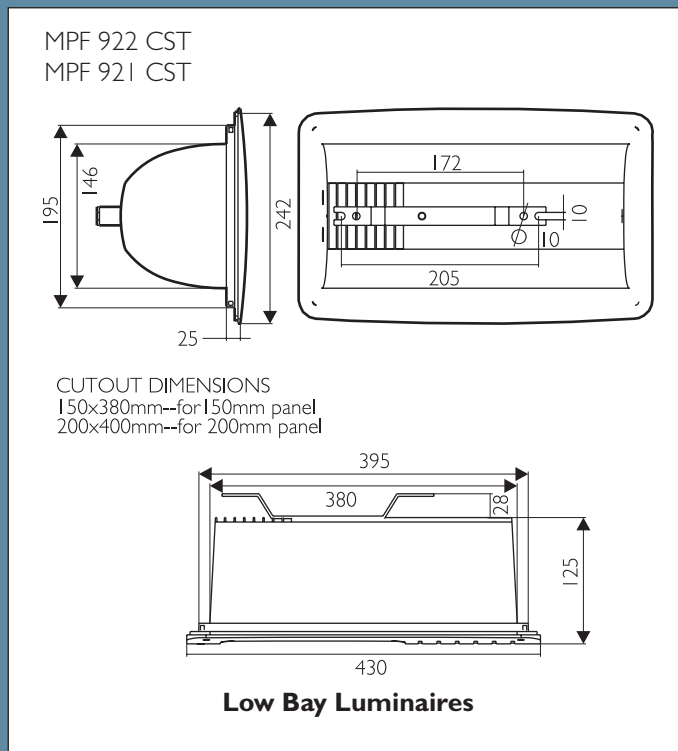
- Designed for surface as well as recess mounting on a false ceiling
- For false ceiling of 200mm panel width, the cut out dimension is 200x400mm. The fitting will be in flush with ceiling
- Can also be used in false ceiling of 150 mm width

Compliances

- IP 65
- Class I



Dimensions (mm)



Technical Data

Type	For Lamp	Nominal Voltage (V)	Mains Current (A)	Nominal Power Factor
MPF 922 CST MHN-TD 150	1 X MHN-TD/CDM-TD 150W	240	0.85	≥ 0.85
MPF 921 CST MHN-TD 150	1 X MHN-TD/CDM-TD 150W	240	0.85	≥ 0.85
MPF 922 CST MHN-TD 70	1 X MHN-TD/CDM-TD 70W	240	0.45	≥ 0.85
MPF 921 CST MHN-TD 70	1 X MHN-TD/CDM-TD 70W	240	0.45	≥ 0.85

Ordering Data

Type	Ordering data	Quantity per box	Dimensions (mm)	Net Weight (kg)	Gross Weight (kg)	Volume (m ³)
MPF 922 CST MHN-TD 150	1311 82165	1	560 X 325 X 145	3.00	3.20	0.026
MPF 921 CST MHN-TD 150	1311 82355	1	560 X 325 X 145	3.00	3.90	0.026
MPF 922 CST MHN-TD 70	1311 82195	1	560 X 325 X 145	3.00	3.90	0.026
MPF 921 CST MHN-TD 70	1311 82385	1	560 X 325 X 145	3.00	3.90	0.026

Note : Ballast of suitable rating shall be packed separately (packing data on request)





MPF 923 CST HPIT 250



General Description

Efficient, low glare, recessed / surface-mounted specially designed luminaire for lighting of filling stations and other canopies. Luminaire is suitable for use with High Pressure Metal Halide HPI-T 250W LAMP

Features

- Excellent uniform light distribution with a bi-directional beam, ensured by stippled aluminium, anodized and brightened reflector
- The beam pattern creates excellent vertical illuminance as required on vertically oriented objects like pump islands
- Specially designed mounting arrangement allows quick and easy installation
- M.S. Gear tray housed in aluminium die-cast housing (white powder-coated) is attached with die-cast aluminium front visor (powder-coated in white) which carries heat-resistant toughened glass and silicon rubber gasket
- Luminaire is insect free and provides IP65 protection

Applications

- Petrol and service stations
- Area with overhead canopies

Installation

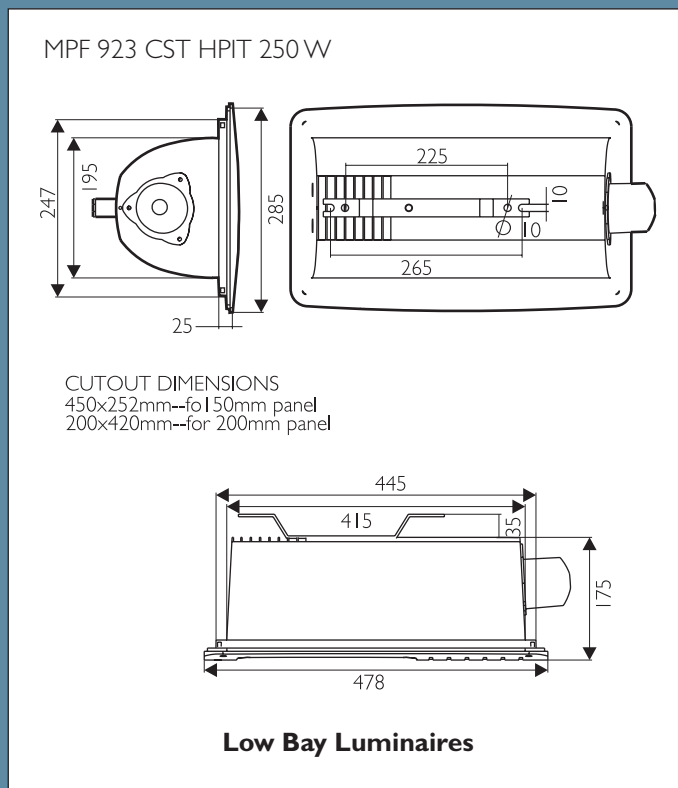
- Designed for surface as well as recess mounting on a false ceiling
- For false ceiling of 150mm panel width, the cut out dimension is 450x250mm. The fitting will be in flush with ceiling
- Can also be used in false ceiling panel of 200 mm width

Compliances

- IP 65
- Class I



Dimensions (mm)



Technical Data

Type	For Lamp	Nominal Voltage (V)	Mains Current (A)	Nominal Power Factor
MPF 923 CST HPI-T 250	1 X HPI-T 250W	240	1.35	≥ 0.85

Ordering Data

Type	Ordering No data	Quantity per box	Dimensions (mm)	Net Weight (kg)	Gross Weight (kg)	Volume (m ³)
MPF 923 CST HPIT 250	1311 82645	1	615 X 372 X 200	4.90 X1	6.10	0.045

Note : Ballast of suitable rating shall be packed separately (packing data on request)

