

2 I/O OPTION A

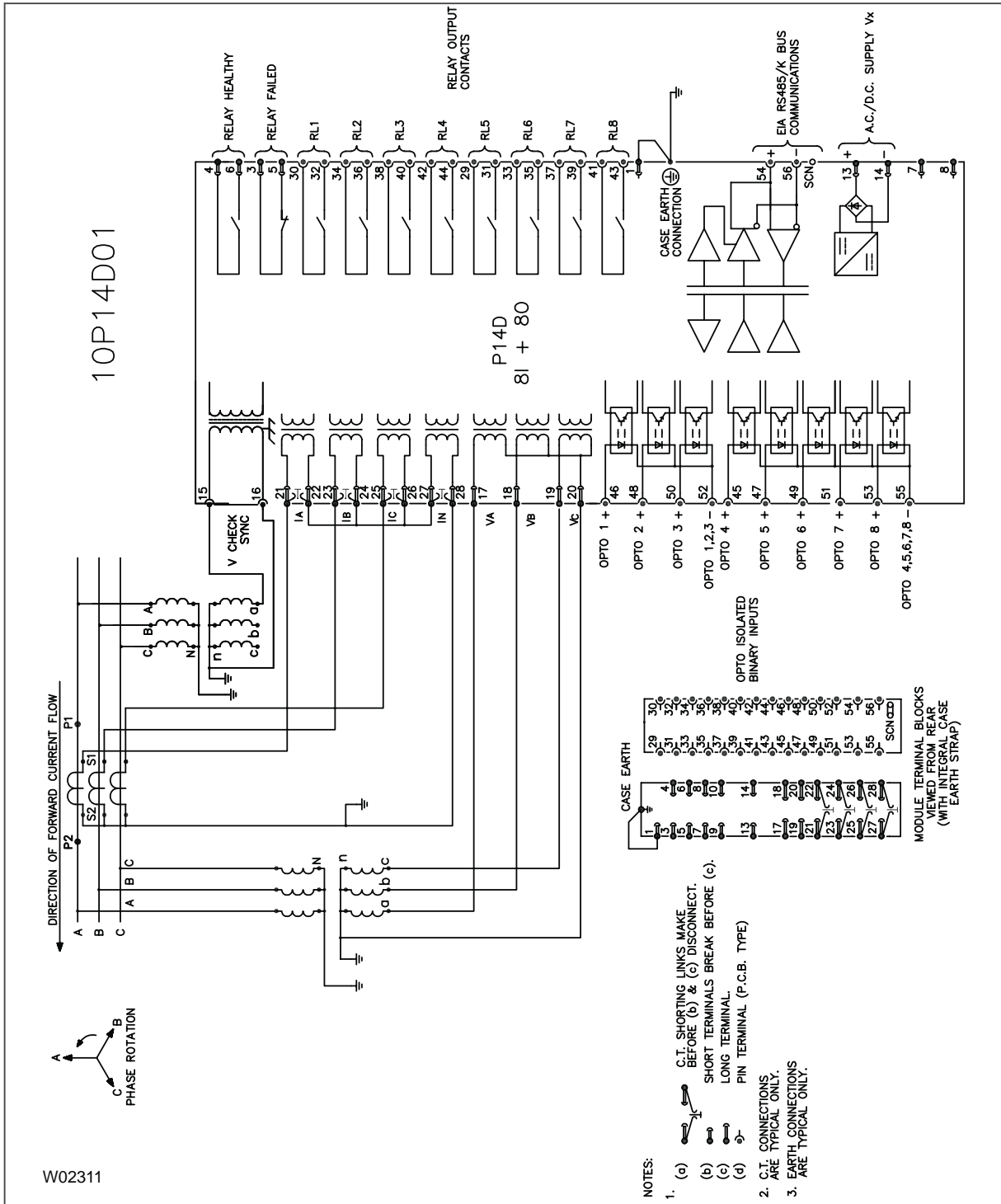


Figure 187: P14D Directional IED with 8 inputs and 8 outputs