

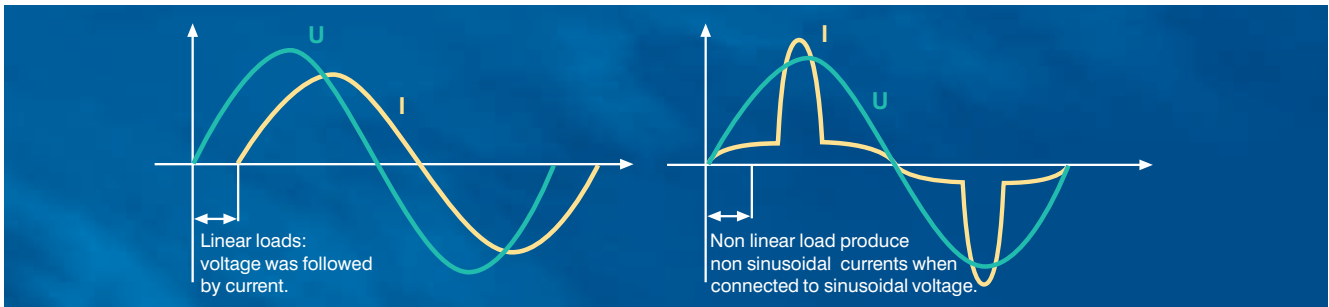
EPCOS Product Profile (India) 2013

Power Factor Correction

Power Quality Solutions



Preview



General

The increasing demand of electrical power and the awareness of the necessity of energy saving is very up to date these days. Also the awareness of power quality is increasing, and power factor correction (PFC) and harmonic filtering will be implemented on a growing scale. Enhancing power quality – improvement of power factor – saves costs and ensures a fast return on investment. In power distribution, in low- and medium-voltage networks, PFC focuses on the power flow ($\cos \varphi$) and the optimization of voltage stability by generating reactive power – to improve voltage quality and reliability at distribution level.

How reactive power is generated

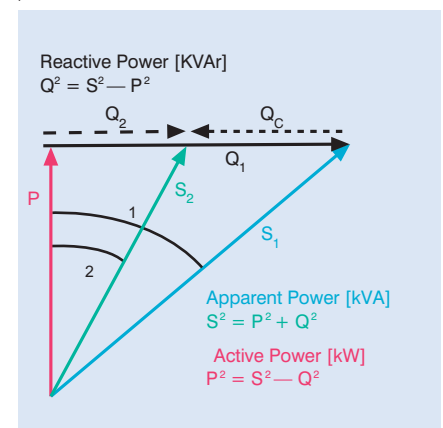
Every electric load that works with magnetic fields (motors, chokes, transformers, inductive heating, arc welding, generators) produces a varying degree of electrical lag, which is called inductance. This lag of inductive loads maintains the current sense (e.g. positive) for a time even though the negative-going voltage tries to reverse it. This phase shift between current and voltage is maintained, current and voltage having opposite signs. During this time, negative power or energy is produced and fed back into the network. When current and voltage have the same sign again, the same amount of energy is again needed to build up the magnetic fields in inductive loads. This magnetic reversal energy is called reactive power.

In AC networks (50/60 Hz) such a process is repeated 50 or 60 times a second. So an obvious solution is to briefly store the magnetic reversal energy in capacitors and relieve the network (supply line) of this reactive energy. For this reason, automatic

reactive power compensation systems (detuned /conventional) are installed for larger loads like industrial machinery. Such systems consist of a group of capacitor units that can be cut in and cut out and which are driven and switched by a power factor controller.

$$\begin{aligned} \text{Apparent power } S &= \sqrt{P^2 + Q^2} \\ \text{Active power } P &= S \cdot \cos \varphi \\ \text{Reactive power } Q &= S \cdot \sin \varphi \end{aligned}$$

With power factor correction the apparent power S can be decreased by reducing the reactive power Q.



Power factor

Low power factor ($\cos \varphi$)

Low $\cos \varphi$ results in

- Higher energy consumption and costs,
- Less power distributed via the network,
- Power loss in the network,
- Higher transformer losses,
- Increased voltage drop in power distribution networks.

Power factor improvement

Power factor improvement can be achieved by

- Compensation of reactive power with capacitors,
- Active compensation – using semiconductors,
- Overexcited synchronous machine (motor /generator).

Types of PFC

(detuned or conventional)

- individual or fixed compensation (each reactive power producer is individually compensated),
- group compensation (reactive power producers connected as a group and compensated as a whole),
- central or automatic compensation (by a PFC system at a central point),
- mixed compensation.

Preview



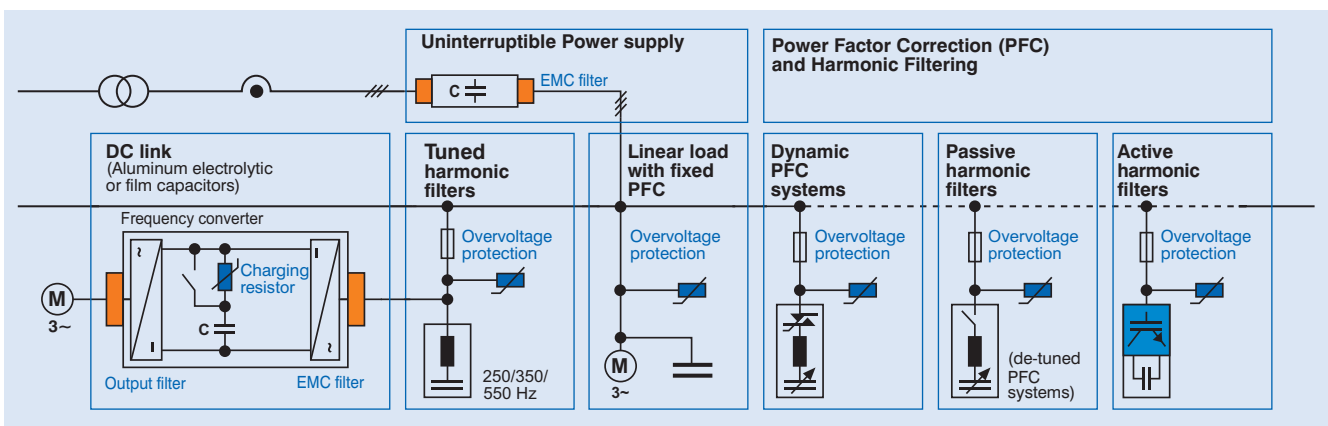
Power Quality Solution strategy

Along with the emerging demand for power quality and a growing awareness of the need for environmental protection, the complexity in the energy market is increasing: users and decision-makers are consequently finding it increasingly difficult to locate the best product on the market and to make objective decisions. It is in most cases not fruitful to compare catalogs and data sheets, as many of their parameters are identical in line with the relevant standards. Thus operating times are specified on the basis of

tests under laboratory conditions that may differ significantly from the reality in the field. In addition, load structures have changed from being mainly linear in the past to non-linear today. All this produces a clear trend: the market is calling increasingly for customized solutions rather than off-the-shelf products. This is where Power Quality Solutions come into the picture. It offers all key components for an effective PFC system from a single source, together with:




- Application know-how
- Technical skills
- Extensive experience in the field of power quality improvement
- A worldwide network of partners
- Continuous development
- Sharing of information

These are the cornerstones on which Power Quality Solutions are built. On the basis of this strategy, EPCOS is not only the leading manufacturer of power capacitors for PFC applications but also a PQS supplier with a century of field experience, reputation and reliability.



PQS Key Components Overview



PF controllers					
BR6000					
Supply voltage	BR6000-R06 245 V AC (±20%; L-N)	BR6000-R12 245 V AC (±20%; L-N)	BR6000-T06 245 V AC (±20%; L-N)	BR6000-T12 245V AC (±20%; L-N)	
Measurement voltage range	30-525 V AC (L-N) or (L-L)	30-525 V AC (L-N) or (L-L)	30-300 V AC (L-N)	30-300 V AC (L-N)	
Measurement current	X/5 or X1/A selectable	X/5 or X1/A selectable	X/5 or X1/A selectable	X/5 or X1/A selectable	
Frequency	50/60 Hz	50/60 Hz	50/60 Hz	50/60 Hz	
BR5000					
Supply voltage	BR5000-R08 415V AC (-40% to +20%; L-L)	BR5000-R16 415V AC (-40% to +20%; L-L)	BR5000-T16 415V AC (-40% to +20%; L-L)		
Measurement voltage range	3Ph 3wire 415V AC (-40% to +20%)	3Ph 3wire 415V AC (-40% to +20%)	3Ph 3wire 415V AC (-40% to +20%)		
Measurement current	X/5 or X1/A selectable	X/5 or X1/A selectable	Only 5Amp CT secondary		
Frequency	45Hz to 62.5Hz	45Hz to 62.5Hz	45 Hz to 55 Hz		
BR4000					
Supply voltage	BR4904 230V AC (-25% to +20%; L-N)		BR4008 230V AC (-25% to +20%; L-N)		
Measurement voltage range	230V AC (-25% to +20%; L-N)		230V AC (-25% to +20%; L-N)		
Measurement current	X/5 or X1/A externally selectable		X/5 or X1/A externally selectable		
Frequency	47Hz to 53 Hz		47Hz to 53 Hz		
BR Series and Ordering Details					
Output stages	Relay outputs	Transistor outputs	Interface	Ordering code	
BR6000-R06	6	-		B44066R6006R230N 1	
BR6000-R12	12	-		B44066R6012R230N 1	
BR6000-R12	12	-	RS232	B44066R6312R230N 1	
BR6000-R12	12	-	RS485	B44066R6412R230N 1	
BR6000-T06	-	6	-	B44066R6106R230N 1	
BR6000-T12	-	12	-	B44066R6112R230N 1	
BR5000-R08	8	-	RS232 and RS485	B44066R5908A415N 1	
BR5000-R16	16	-	RS232 and RS485	B44066R5916A415N 1	
BR5000-T16	-	16	RS232 and RS485	B44066R5716A415N 1	
BR4904	4	-	-	B44066R4904A230N 1	
BR4008	8	-	-	B44066R4808A230N 1	
BR7000	15 relay outputs PF controller for 3 phase measuring and controlling			B44066R7415E230	
MC7000-3	Grid analysis tool for 3 phase measuring, display and storage of electric parameters			B44066M1301E230	

Important Notes

The following applies to all products named in this publication:

1. Some parts of this publication contain **statements about the suitability of our products for certain areas of application**. These statements are based on our knowledge of typical requirements that are often placed on our products in the areas of application concerned. We nevertheless expressly point out **that such statements cannot be regarded as binding statements about the suitability of our products for a particular customer application**. As a rule, EPCOS is either unfamiliar with individual customer applications or less familiar with them than the customers themselves. For these reasons, it is always ultimately incumbent on the customer to check and decide whether an EPCOS product with the properties described in the product specification is suitable for use in a particular customer application.
2. We also point out that **in individual cases, a malfunction of electronic components or failure before the end of their usual service life cannot be completely ruled out in the current state of the art, even if they are operated as specified**. In customer applications requiring a very high level of operational safety and especially in customer applications in which the malfunction or failure of an electronic component could endanger human life or health (e.g. in accident prevention or life-saving systems), it must therefore be ensured by means of suitable design of the customer application or other action taken by the customer (e.g. installation of protective circuitry or redundancy) that no injury or damage is sustained by third parties in the event of malfunction or failure of an electronic component.
3. **The warnings, cautions and product-specific notes must be observed.**
4. In order to satisfy certain technical requirements, some of the products described in this publication may contain substances subject to restrictions in certain jurisdictions (e.g. because they are classed as hazardous). Useful information on this will be found in our Material Data Sheets on the Internet (www.epcos.com/material). Should you have any more detailed questions, please contact our sales offices.
5. We constantly strive to improve our products. Consequently, **the products described in this publication may change from time to time**. The same is true of the corresponding product specifications. Please check therefore to what extent product descriptions and specifications contained in this publication are still applicable before or when you place an order.
We also reserve the right to discontinue production and delivery of products. Consequently, we cannot guarantee that all products named in this publication will always be available.
The aforementioned does not apply in the case of individual agreements deviating from the foregoing for customer-specific products.
6. Unless otherwise agreed in individual contracts, **all orders are subject to the current version of the "General Terms of Delivery for Products and Services in the Electrical Industry" published by the German Electrical and Electronics Industry Association (ZVEI).**
7. The trade names EPCOS, BAOKE, Alu-X, CeraDiode, CSMP, CSSP, CTVS, DeltaCap, DigiSiMic, DSSP, FormFit, MiniBlue, MiniCell, MKD, MKK, SquareCap, AgriCap, PoleCap, MLSC, MotorCap, PCC, PhaseCap, PhaseCube, PhaseMod, PhiCap, SIFERRIT, SIFI, SIKOREL, SilverCap, SIMDAD, SiMic, SIMID, SineFormer, SIOV, SIP5D, SIP5K, ThermoFuse, WindCap are **trademarks registered or pending** in Europe and in other countries. Further information will be found on the Internet at www.epcos.com/trademarks.

PF Controllers BR4000 Series

Intelligent • User-friendly • Cost-effective



General

The BR4000 controller series is the most economical series and intended to serve the basic purpose of power factor corrections... The simplest menu driven version controller with navigational keys. The microcontroller based logic, multifunctional display of electrical parameters, compact size 96 x 96 mm and protections makes this controller extremely user friendly.

BR4000 Controller series is available in 4 stages and 8 stages. Best suited with conventional APFC applications.



Features

- Microcontroller logic for measurements
- User friendly operation
- Control mode: binary, unequal, Preset and User defined
- Multifunctional LCD display
- Single CT sensing for unbalanced loads
- Compact 96X96 mm front fascia
- Suitable for auto / manual operation
- Individual harmonic measurement upto 15th

Protection Warning

- Over / under voltage
- Over / under load
- Over temperature
- User friendly operation

Important display parameters

- Voltage
- Current
- Active power
- Reactive power
- Apparent power
- Frequency
- V_{THD}
- I_{THD}

Technical Data

- Measurement voltage: 1PH 230 VAC (-25% to +20%)
- Current input selectable - 1A or 5A for load with class 2 accuracy
- Auxiliary supply - 1Ph, 230V (-25% to +20%)
- Steps - 4 and 8 relay outputs
- Supply frequency -47 Hz to 53 Hz

Mechanical and Maintenance

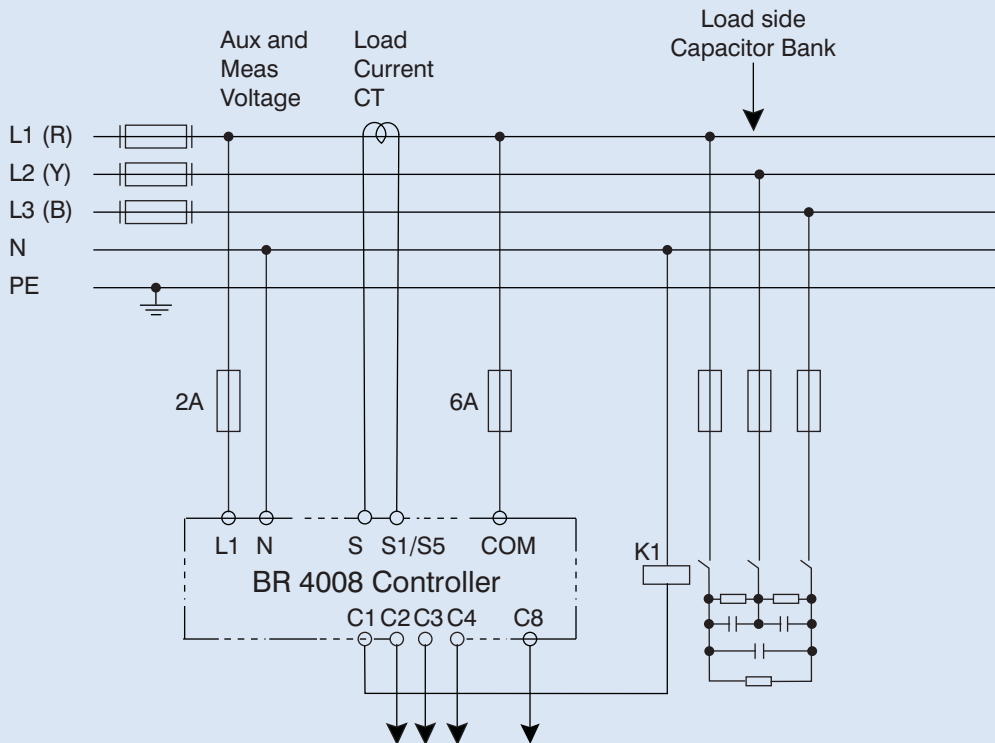
- Compact size
- Operating temperature - 0° to 50° C
- Storage temperature - -5°C to 65°C
- Humidity -0 to 98%

PF Controllers BR4000 Series

Intelligent • User-friendly • Cost-effective



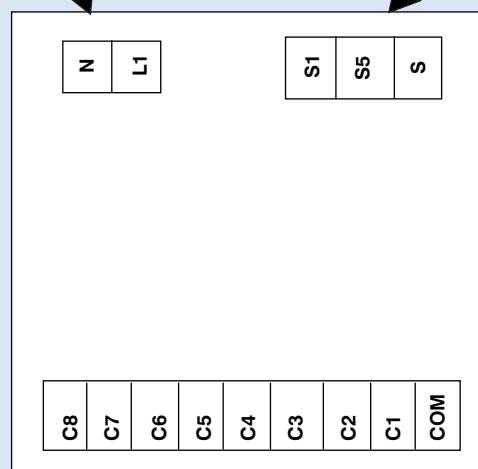
Typical wiring diagram for PF correction



Rear side terminals - measurement voltage, measurement current and auxiliary supply

Auxiliary and Measurement
Voltage Connection
230 V, 1 Phase, 2 Wire

Load CT Connection
Selectable 1A or 5A
Example: Select either
S1 (1A) or S5 (5A)
along with S (common)



Output commands to capacitor contactors

PF Controllers BR4000 Series

Intelligent • User-friendly • Cost-effective



Selection table for controllers		
	BR4000 relay output	
Steps	4 STEP	8 STEP
Switching	Contactor	Contactor
Ordering code	B44066R4904A230N1	B44066R4808A230N1
Auxiliary supply / Measurement voltage	1-Phase, 2-Wire, 230 Vac (-25% to +20%) (common for both measurement and auxiliary)	1-Phase, 2-Wire, 230 Vac (-25% to +20%) (common for both measurement and auxiliary)
Load CT input current	1 / 5 A - separate connectors for either of the CT connections	1 / 5 A - separate connectors for either of the CT connections
No. of outputs	4 Nos. Relay o/ps of 5A @230V AC Resistive	8 Nos. Relay o/ps of 5A @230V AC Resistive
Alarm outputs	No	No
-Insufficient compensation	Yes (only display)	Yes (only display)
-Overcompensation	No	No
-Over / under voltage	Yes (not editable) (Factory set UV@170V (P-N) resume@178V, OV@276V (P-N) resume@264V)	Yes, programmable
-Overcurrent	No	Yes, programmable
Automatic initialisation	No	No
Communication interface RSXXX	No	No
Parameters displayed		
System voltage	Yes	Yes
Load current	Yes	Yes
Capacitor current	No	No
Active power	Yes	Yes
Reactive power	Yes	Yes
Apparent power	Yes	Yes
Frequency	Yes	Yes
Individual harmonics measurement upto	15	15
THD - V	Yes	Yes
THD - I	Yes	Yes
Monitoring of individual Capacitor current	No	No
Apparent current	Yes	Yes
Overtemperature	Yes (only INT temp.)	Yes (only INT temp.)
Real time cos	Yes	Yes
Target cos	Yes (single target PF - programmable)	Yes (upper and lower target PF programmable)
KVAr value to target cos	Yes (as system reactive power)	Yes (as system reactive power)
Switching and discharge time range		
- Correction time	1 - 1200 sec	1 - 65530 sec
- Discharge time	1 - 1200 sec	1 - 65530 sec
Number of control series	Only unequal	Binary, unequal, C-series, E-series
Weight (in kG)	1 kG	1 kG
Dimensions (L x D x H in mm)	96 x 90 x 96 mm	96 x 90 x 96 mm