

E1000

REVENUE GRADE DUAL SOURCE ENERGY METER.



Whole current metering up to 60Amps.

Accuracy Class 1.0s as per IS13779.

Class 0.5 accuracy also available.

Available in 1P2W and 3P4W versions.

Dual Source Metering (EB & DG) option available.

RS-485 Port for Connecting to SCADA / EMS with MODBUS-RTU protocol (Option).

8-Digit LC Display.

E1000 is a state-of-the-art Digital KWh Meter. The meter meets the accuracy requirements of class 1.0s as per the IS13779 and is available in 1P2W and 3P4W versions, in current ranges of 5-30A and 10-60A.

The meter is equipped with RS485 communication port for implementation of EMS/BMS in a PC or SCADA environment.

It is a dual source meter, and has two energy registers.

E1000 is guaranteed to work in harsh noisy environments, and meets or exceeds the regulatory requirements for EMI/EMC, voltage and frequency disturbances, faults, etc.

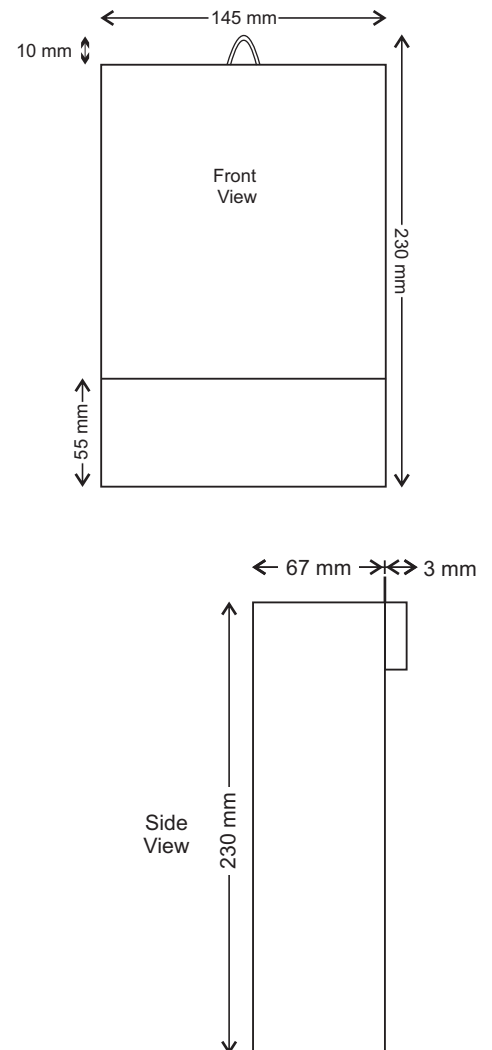
Typical Applications include : -

Shopping Malls & Multiplexes, Residential Townships, Commercial Buildings, LT industrial loads and many more.

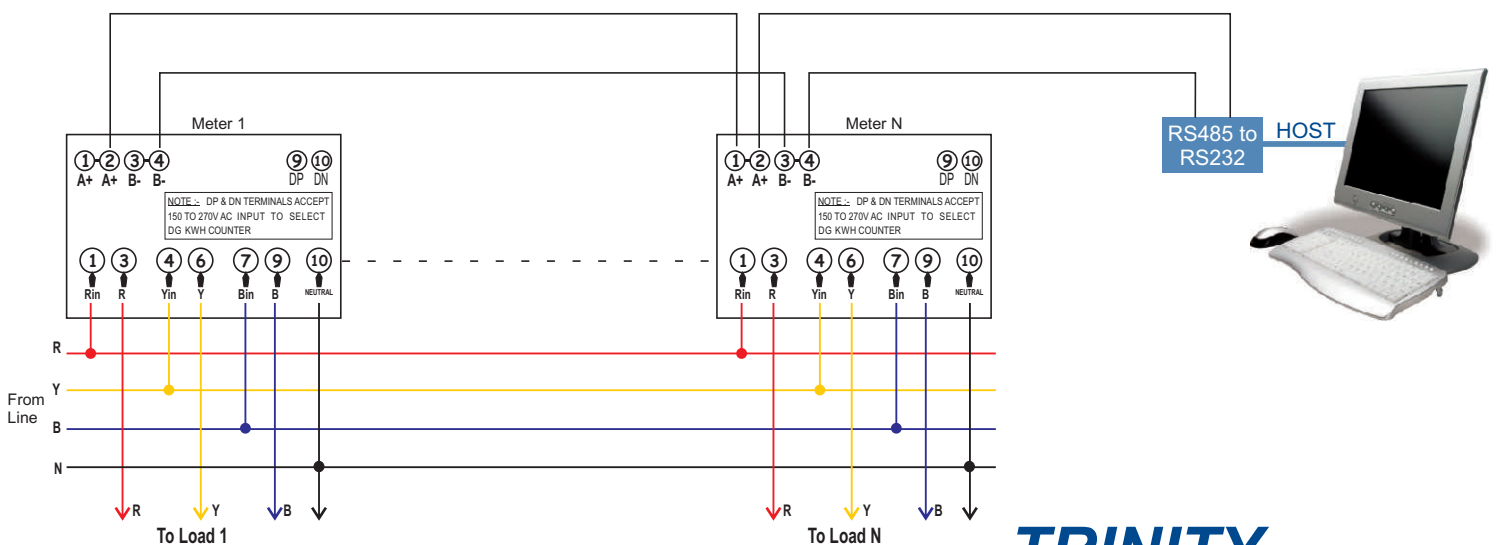
Technical Specifications

System	1P2W or 3P4W, 3 X 240 VAC
Measurement Parameters	Active Energy (KWh) Reactive Energy (KVARh) –Optional
Accuracy	Class 1.0 as per IS-13779. Class 0.5s Optional
Current	Ibasic : 5A or 10 A Imax : 30A or 60 A
Minimum starting current	0.4 % of Ibasic
Frequency of operation	50 Hz. ±10 %.
Display	Customized alphanumeric LCD
Burden	Voltage circuit : < 1.8VA per phase. Current circuit : < 0.80VA per phase
Calibration output	LED pulses @ 1000 Pulses/KWh (& KVARh)
Data Retention	In Ferro-magnetic non-volatile memory, no battery. Data retention 15 years without power
Operating temperature Range	0 - 60°C
Humidity	0 - 95% Non-condensing
Casing material	ABS Plastic
Dimensions	Height= 230 mm, Length = 145 mm, Depth = 70mm
Weight	1.5 Kgs
Mounting	Projection Type

Dimension Drawing



Connection Drawing



TRINITY ENERGY SYSTEMS PVT. LTD.

366/A/12, G.I.D.C. Estate, Makarpura, VADODARA-390010, Gujarat, India
Tele/ Fax : 0265 - 2645738/ 2633270/ 2632761
email : info@trinityenergy.co.in

web : www.trinityenergy.co.in

TRINITY
Making Energy Matter

