

Drg No:

01VAJH13YF 002

Sht: 1

Next Sht: -



Title: CIRCUIT & WIRING DIAGRAM. VAJH 13YF HIGH BURDEN.

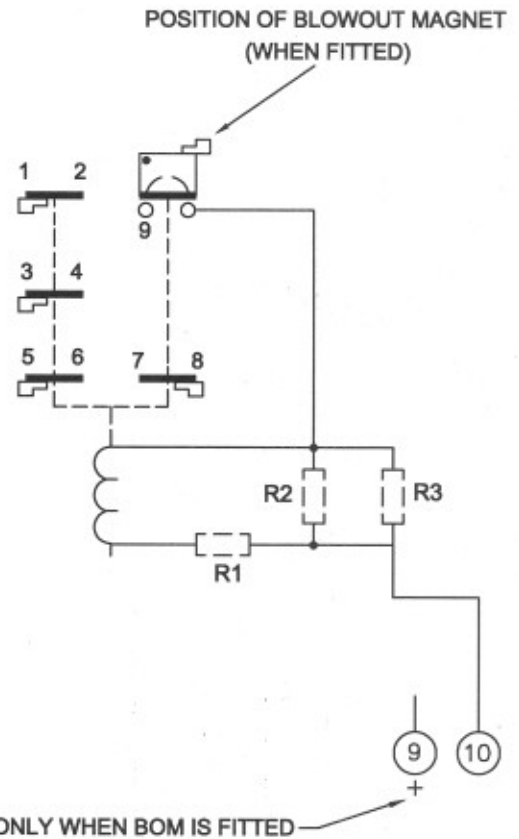
COMBINATIONS OF OUTPUT CONTACTS		OUTPUT CONTACTS TO TERMINALS			
		1 - 2	3 - 4	5 - 6	7 - 8
4M	-	M	M	M	M
3M	1B	B	M	M	M
2M	2B	B	B	M	M

CONTACT DESCRIPTION

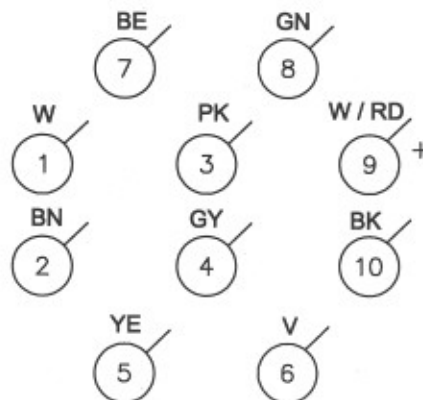
M : MAKE
B : BREAK

NOTES:-

1. COIL LEADS ARE SUPPLIED WITH UNITS. ALL OTHER LEADS TO BE 13/0.2mm TINNED COPPER FLEXIBLE WITH 0.5mm THICK WALL INSULATION AND COLOURED AS SHOWN.
2. ALL LEADS TO TERMINALS ARE TO BE CRIMPED WITH CRIMPTAG MZB9124 006
3. RESISTORS R1 - R3 WHEN CALLED UP IN MODEL LIST.



NON - DRAWOUT CASE



TERMINAL POSITION VIEWED FROM FRONT

Issue: **A**

Revision:

Date: 30.07.2010

Name: R.VINOTH

Date: 80/7/2010

Chkd: *6. vijay karthik*

CAD DATA 1:1 DIMENSIONS: mm
DO NOT SCALE



AREVA T&D India Limited
Automation Products
(CHENNAI)