

Title: **CIRCUIT & WIRING DIAGRAM. VAJH 13YF LOW BURDEN.**

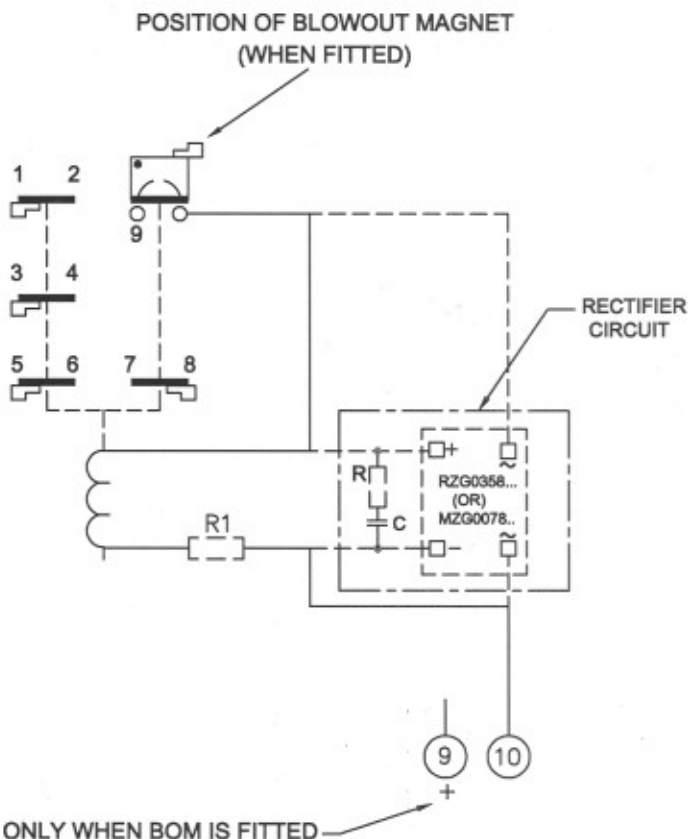
COMBINATIONS OF OUTPUT CONTACTS	OUTPUT CONTACTS TO TERMINALS	OUTPUT CONTACTS TO TERMINALS			
		1 - 2	3 - 4	5 - 6	7 - 8
4M	-	M	M	M	M
3M	1B	B	M	M	M
2M	2B	B	B	M	M

**CONTACT DESCRIPTION**

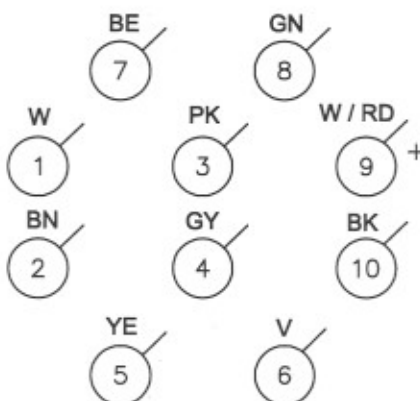
M : MAKE  
B : BREAK

**NOTES:-**

1. COIL LEADS ARE SUPPLIED WITH UNITS. ALL OTHER LEADS TO BE 13/0.2mm TINNED COPPER FLEXIBLE WITH 0.5mm THICK WALL INSULATION AND COLOURED AS SHOWN.
2. ALL LEADS TO TERMINALS ARE TO BE CRIMPED WITH CRIMPTAG MZB9124 006
3. RECTIFIER CIRCUIT REQUIRED ONLY FOR AC MODELS.



**NON - DRAWOUT CASE**



**TERMINAL POSITION VIEWED FROM FRONT**

Issue: **A**

Revision:

Date: 30.07.2010

Name: R.VINOTH  
Chkd: *6/17/2010*

CAD DATA 1:1 DIMENSIONS: mm  
DO NOT SCALE

AREVA T&D India Limited  
Automation Products  
(CHENNAI)